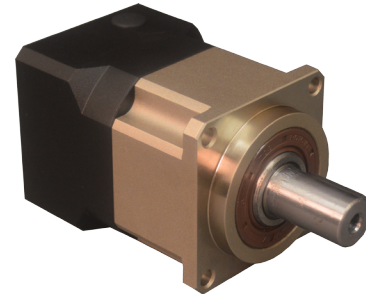


FEATURES

- **Compatible with NEMA Size 23**
- **Backlash as Low as 3 arc-min**
- **Gear Ratios from 3:1 to 100:1**
- **Long Design Life, Over 20,000 hrs**
- **Up to 97 Percent Efficiency**
- **Max Input Speeds up to 6,000 RPM**
- **Lifetime Lubrication**
- **Low Noise Helical Gears**



DESCRIPTION

The GBPS-060x Series is an In-Line Planetary Helical Gearbox line that offers great prices without sacrificing precision and quality. The GBPS-060x Series is designed for motion control applications requiring moderate backlash and stiffness. Features include backlash as low as 3 arcminutes, 22 gear ratios for rated torque up to 487 in-lbs (7,788 oz-in), (model dependent), a precision clamping system and lifetime lubrication. Please verify all dimensions when matching a gearbox to a specific motor, as critical dimensions will vary among series and manufacturers.

SPECIFICATIONS

Model #	Gear Ratio (X:1)	Rated Output Torque (in-lb)	Max Output Torque (in-lb)	Rated Input Speed (RPM)	Max Input Speed (RPM)	Stages	Backlash (arcmin)	L2 Length (mm)	Weight (lbs)
GBPS-0601-NM-003-XXXXX-XXX	3	469	844	5000	10000	1	3	37	2.9
GBPS-0601-NM-004-XXXXX-XXX	4	487	877	5000	10000	1	3	37	2.9
GBPS-0601-NM-005-XXXXX-XXX	5	478	860	5000	10000	1	3	37	2.9
GBPS-0601-NM-006-XXXXX-XXX	6	407	733	5000	10000	1	3	37	2.9
GBPS-0601-NM-007-XXXXX-XXX	7	389	700	5000	10000	1	3	37	2.9
GBPS-0601-NM-008-XXXXX-XXX	8	363	653	5000	10000	1	3	37	2.9
GBPS-0601-NM-009-XXXXX-XXX	9	327	589	5000	10000	1	3	37	2.9
GBPS-0601-NM-010-XXXXX-XXX	10	327	589	5000	10000	1	3	37	2.9
GBPS-0602-NM-012-XXXXX-XXX	12	469	844	5000	10000	2	5	70	4.4
GBPS-0602-NM-015-XXXXX-XXX	15	469	844	5000	10000	2	5	70	4.4
GBPS-0602-NM-020-XXXXX-XXX	20	487	877	5000	10000	2	5	70	4.4
GBPS-0602-NM-025-XXXXX-XXX	25	478	860	5000	10000	2	5	70	4.4
GBPS-0602-NM-030-XXXXX-XXX	30	478	860	5000	10000	2	5	70	4.4
GBPS-0602-NM-035-XXXXX-XXX	35	478	860	5000	10000	2	5	70	4.4
GBPS-0602-NM-040-XXXXX-XXX	40	478	860	5000	10000	2	5	70	4.4
GBPS-0602-NM-045-XXXXX-XXX	45	478	860	5000	10000	2	5	70	4.4
GBPS-0602-NM-050-XXXXX-XXX	50	478	860	5000	10000	2	5	70	4.4
GBPS-0602-NM-060-XXXXX-XXX	60	407	733	5000	10000	2	5	70	4.4
GBPS-0602-NM-070-XXXXX-XXX	70	389	700	5000	10000	2	5	70	4.4
GBPS-0602-NM-080-XXXXX-XXX	80	363	653	5000	10000	2	5	70	4.4
GBPS-0602-NM-090-XXXXX-XXX	90	327	589	5000	10000	2	5	70	4.4

**Part numbers are based on the specifications of the motor being matched to the gearbox.**

-xxxxx denotes motor pilot, -xxx denotes input shaft diameter.

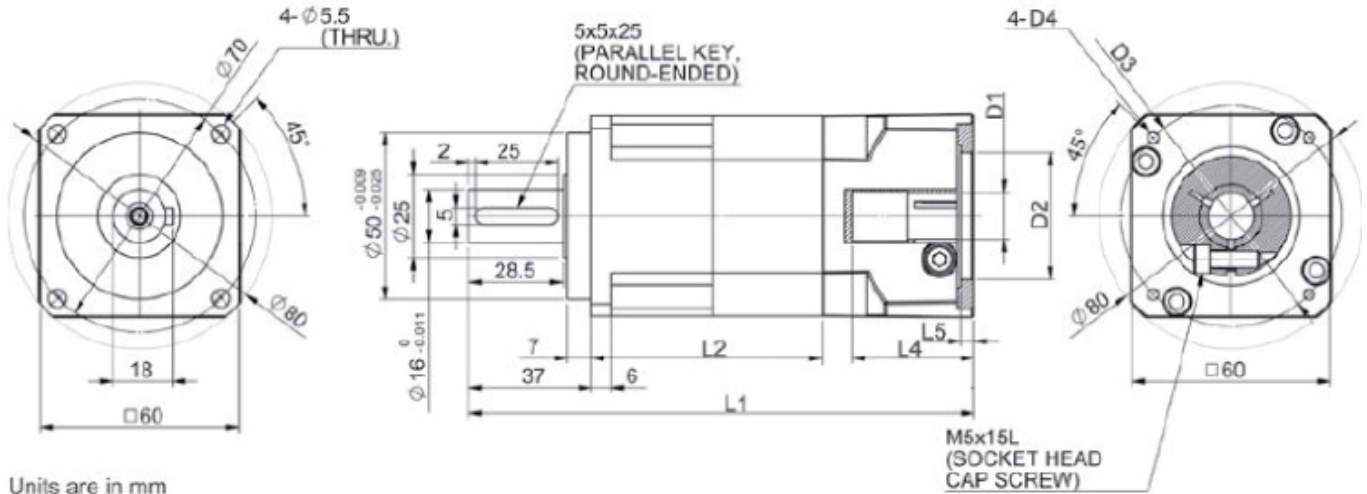
Refer to *Matching the Gearbox to Your Motor* on the second page for more information, or contact an Anaheim Automation Applications Engineer for assistance.

### Matching the Gearbox to Your Motor

To ensure compatibility with the gearbox, it is important to consider that the motor specifications are within the listed ranges below. Motor Bolt Circle Diameter, Input Shaft Diameter, Input Shaft Length, Pilot Thickness, Pilot Diameter and Hole Diameter are required in order to match the motor with the appropriate gearbox, and will be used to determine the complete part number. Please see the Gearbox Mounting form downloadable from our website under Support -Technical Support - Installations for more information on required motor data.

Parameter	Range
Bolt Hole Circle Diameter	46mm to 76mm
Input Shaft Diameter	8mm to 14mm
Input Shaft Length	30mm Max
Pilot Thickness	3.5mm max
Pilot Diameter	30mm to 50mm
Hole Diameter	Any Size

BUSHING WILL SUPPLIED WHEN THE MOTOR SHAFT DIAMETER IS SMALLER THAN 14



Units are in mm

ITEM	DESCRIPTION	MOTOR INTERFACE			
		AA231-250	BLK24-551	EMJ60-551	SMH60-551
D1	Input Shaft Diameter	6.35	14	14	14
L4	Max Shaft Diameter	37	37	37	37
D2	Pilot Diameter	38.1	50	50	50
L5	Pilot Depth	4	4	4	4
D3	Mounting Bolt Hole Circle	66.7	70	70	70
D4	Bolt Hole Size	M4x8	M5x10	M5x10	M5x10
L1	1-Stage Models, Overall Length	120	120	120	120
L1	2-Stage Models, Overall Length	153	153	153	153



# Gearbox Application Sheet

Please return via fax or email: (714) 992-0471, applications@anaheimautomation.com

Name: \_\_\_\_\_ E-Mail: \_\_\_\_\_

Company: \_\_\_\_\_ Phone: \_\_\_\_\_

Address: \_\_\_\_\_ Fax: \_\_\_\_\_

City: \_\_\_\_\_ State: \_\_\_\_\_ Zip: \_\_\_\_\_

Current Quantity Requirements: \_\_\_\_\_

Estimated Annual Requirements: \_\_\_\_\_

## Motor Specifications:

Units:  mm  in

Bolt Circle Diameter (D3): \_\_\_\_\_

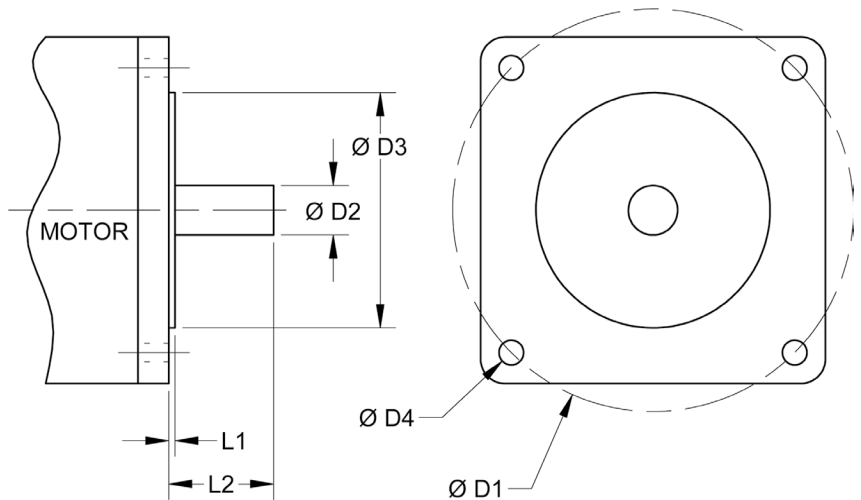
Shaft Diameter (D1): \_\_\_\_\_

Pilot Diameter (D2): \_\_\_\_\_

Hole Diameter (D4): \_\_\_\_\_

Pilot Thickness (L5): \_\_\_\_\_

Shaft Length (L4): \_\_\_\_\_



## Gearbox Specifications:

Gearbox Part Number: \_\_\_\_\_

*(Please provide an Anaheim Automation Gearbox Part Number if Available)*

Please provide any additional information below:

